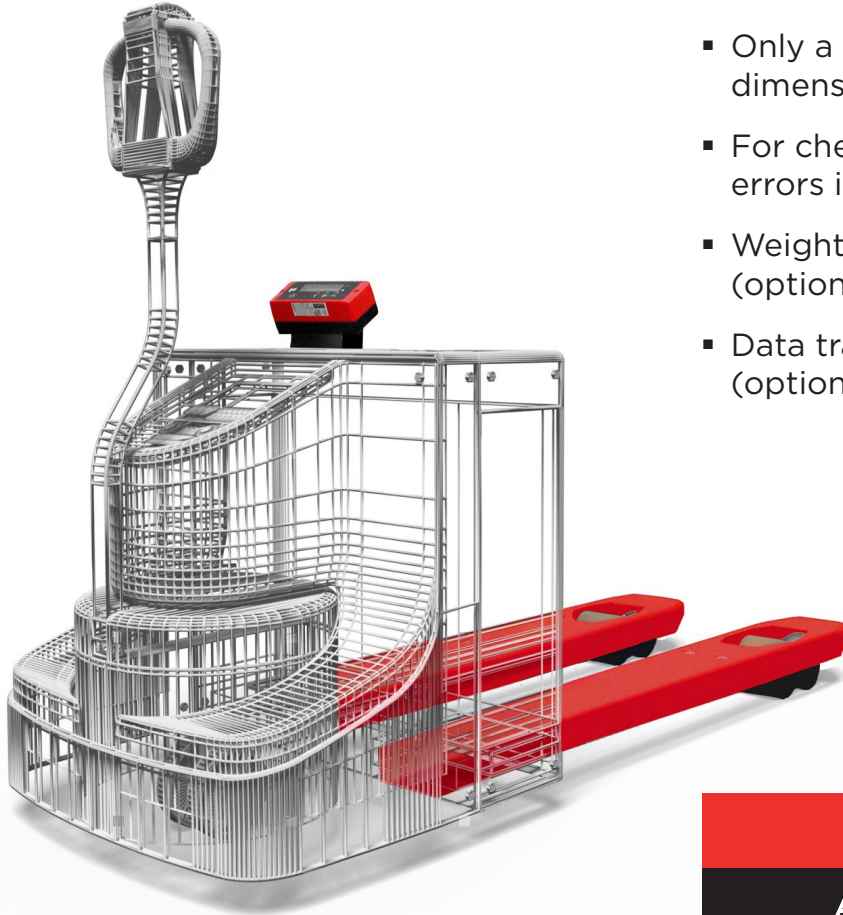


RAVAS RPW EL

Scale for electric pallet trucks and order pickers



BENEFITS

- Fits all electric pallet trucks
- Only a small increase in fork dimensions
- For check weighing and preventing errors in order picking
- Weight transfer to truck terminal (optional)
- Data transfer to WMS or ERP systems (optional)

Top quality

Also for retrofit

RAVAS

FUNCTIONS

- Available indicators: 3200, 5200, 6200, Touch or 2100 Exi.
- For detailed information see the indicator specification sheet.

The RAVAS indicators have been developed exclusively for mobile applications. They are robust and resistant to shocks and vibrations. RAVAS indicators are compact and have a low power consumption. All indicators are dust and waterproof, according to norm IP65. RAVAS mobile scales can be used outdoors and on freight trucks.

A scale indicator of your choice shows the weight on the forks and communicates with a truck terminal or warehouse management system if desired.

STANDARD SPECIFICATIONS

- Capacity same as lifting capacity of the truck
- Graduation Multirange 0.5/1kg till 500/Q-max
- Scale tolerance 0.1% of the load lifted
- Protection class load cells IP67, indicator IP65
- Power supply from truck battery

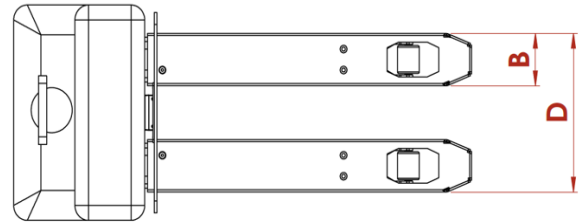
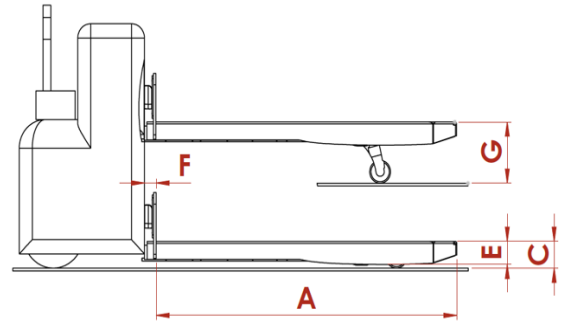
MODIFICATION OF THE TRUCK

All electric pallet trucks and order picking trucks can be equipped with the RAVAS RPW EL scale. The fork construction of the truck is mechanically modified in order to mount the scale components. Therefore, the trucks must be delivered to our factory for conversion. Transport costs are at expense of the customer.

In almost all cases the modifications applied to the truck will result in an increase of fork height of max 5 mm, an increase of fork width of max 20 mm and an increase of fork length of max 10 mm (see table).

If your truck will have different specifications after modification as stated above, RAVAS will consult you before the modification starts. In case you can not accept the new dimensions, you can cancel the order without costs (transport costs excluded).

DIMENSIONS AFTER MODIFICATION



	Standard fork length	1150 mm
A	Fork length	+10 mm
B	Fork width	+20 mm
C	Minimum fork height	+5 mm
D	Width over the forks	+20 mm
E	Fork thickness	66 mm
F	Position carriage plate	+ 45 mm
G	Maximum fork height	+ 5 mm

Tolerances +/- 2 mm

- The actual dimensions depend on the measures of the load-bearing arms of your truck. For more details about the exact measures in your particular case, please contact RAVAS.
- Your carriage plate will be positioned 45 mm forward. This modification will have some impact on the load center point and accordingly to the maximum weight the truck can handle. The modification does not impact the wheelbase.



Management System
ISO 9001:2015
ISO 14001:2015
ISO 45001:2018
www.tuv.com
ID 0000037200

OPTIONS*

- Thermal or matrix printer
- Data transfer to devices that have RS232, WiFi or Bluetooth® technology
- Legal for trade version, OIML III
- Smaller display graduations
- Different fork lengths
- Fork adjustment for entering into closed pallets
- Stainless steel fork shoes
- Explosion proof version for use in hazardous areas, zone I; ATEX certified
- RDC, RAVAS Data Collector Software
- RIS, RAVAS Integration Software

RAVAS Europe B.V.

Veilingweg 17, 5301 KM Zaltbommel, The Netherlands

T: +31 418 515220 E: salesoffice@ravas.com

WWW.RAVAS.COM

